



426 LOW DEAD VOLUME STAINLESS STEEL REGULATOR

The 426 Series regulators are intended for secondary pressure control of ultra-high purity and corrosive gases or as point of use pressure control in ultra-high purity gas distribution systems.

Highlighted Features

- Low Dead Volume
- 316L Stainless Steel Barstock Body
- Two Port Configuration
- 316L Stainless Steel Diaphragm

Typical Applications

- ❖ Bulk gas distribution systems
- ❖ Gas and liquid chromatography
- ❖ Ultra-high purity carrier gases
- ❖ Zero, span, and calibration gases
- ❖ High purity chamber pressurization
- ❖ Liquefied hydrocarbon gas control
- ❖ Control of cryogenic gases
- ❖ Corrosive gases



Features	Materials	Specifications
<p>Metal-to-Metal Diaphragm Seal No possibility of gas contamination</p> <p>CAPSULE® Seat Increased serviceability and life</p> <p>316L Stainless Steel Barstock Body Increased corrosion resistance</p> <p>Front and Rear Panel-Mountable Versatile system configuration</p> <p>Pressure Ranges 0-15 to 0-500 PSIG (0-1 to 0-34 BAR) Broad range of applications</p> <p>4500 PSIG (310 BAR) Safe use with high pressure cylinders</p>	<p>Body 316L stainless steel barstock</p> <p>Bonnet Chrome-plated brass barstock</p> <p>Seat PCTFE</p> <p>Filter Patented 10 micron 316 mesh</p> <p>Diaphragm 316L stainless steel</p> <p>Internal Seals PTFE</p>	<p>Maximum Inlet Pressure 4500 PSIG (310 BAR)</p> <p>Temperature Range -40°F to 140°F (-40°C to 60°C)</p> <p>Ports 1/4" FPT</p> <p>Helium Leak Integrity 1 x 10⁻⁹ scc/sec</p> <p>Cv 0.1 <i>Flow curves on pages to follow</i></p> <p>Weight (426 3801-000) 2.2 lbs. (1.01 kg)</p>

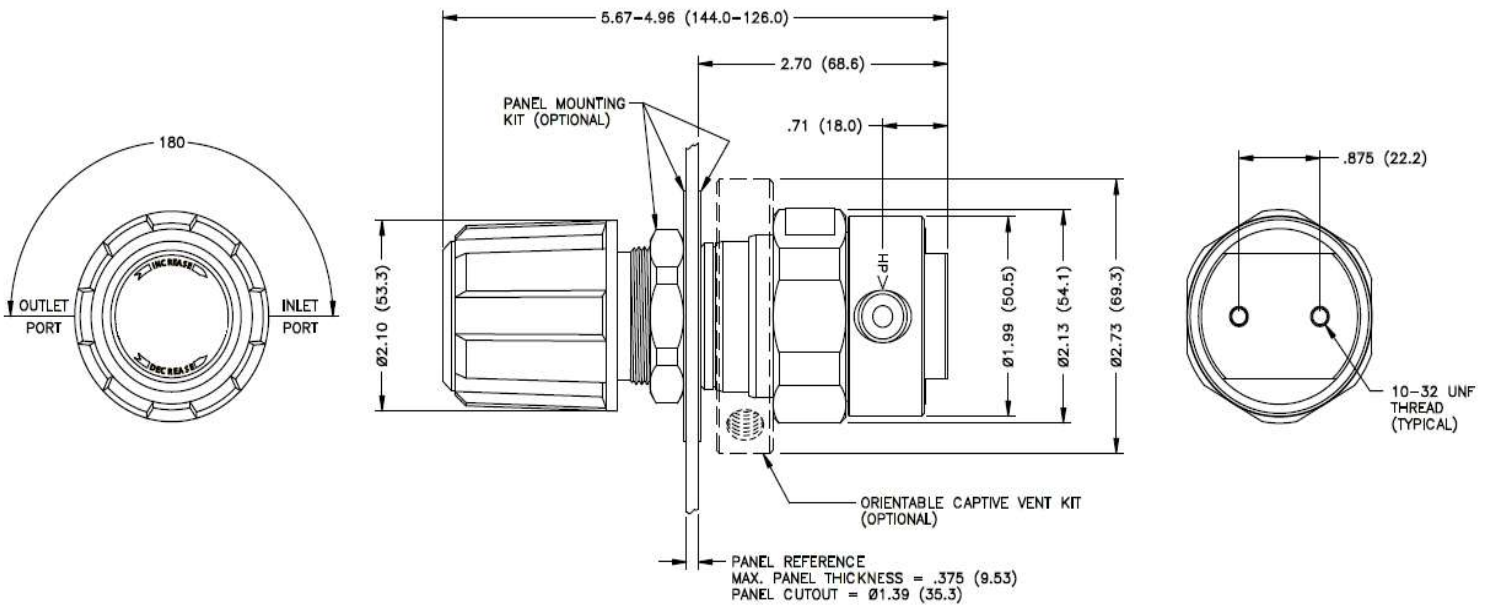
Model	A	B	C	D	-CON	OPTIONS
Series	Outlet Pressure	Inlet Pressure	Outlet Assemblies	Assembly/Gauges	Inlet Connections	Installed Options
426	2: 0-50 PSIG (0-3.5 BAR)	8: 4500 PSIG (310 BAR)	0: 1/4" FPT port	1: Cleanroom assembly	000: 1/4" FPT	B: Protocol alarm station with pressure switch gauges
	3: 0-100 PSIG (0-7 BAR)		1: 1/4" MPT		TF2: 1/8" tube	D: Deep purge ¹
	4: 0-250 PSIG (0-17 BAR)		2: 1/4" tube fitting		TF4: 1/4" tube	E: Protocol alarm station with intrinsically safe transducer for hazardous environments
	5: 0-500 PSIG (0-34 BAR)		3: Diaphragm valve 1/4" tube fitting		TF6: 3/8" tube	J: Protocol alarm station with standard transducer for non- hazardous environments
	7: 0-150 PSIG (0-10 BAR)		4: Diaphragm valve 1/4" MPT		M06: 6mm	M: Protocol station
			5: Needle valve 1/4" MPT		CGA DIN 477 BS 341 and others	
			6: 1/8" tube fitting		available	
			7: 3/8" tube fitting			
			8: Diaphragm valve 1/8" tube fitting			
			9: Diaphragm valve 1/4" FPT			
		M: 6mm tube fitting				
		S: Diaphragm valve 6mm tube fitting				

NOTES: ¹ Only valid with 3000 PSIG cylinder inlet connections

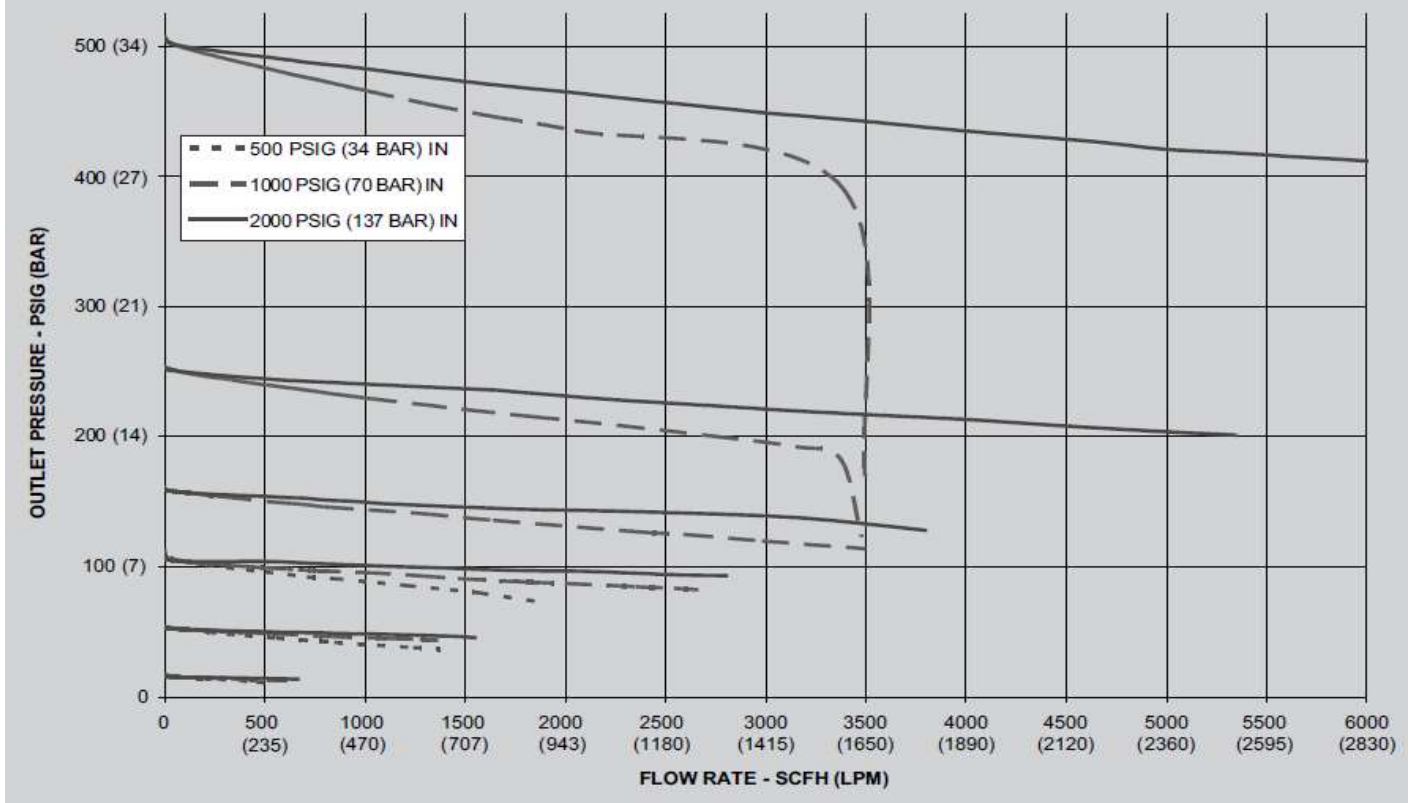
Related Options

Part Number	Description
CON 550-0002	Panel mount kit
CON 550-0001	Captured vent kit
CON 476-0002	Helium leak certification

Installation Dimensions



426 Regulator Flow Curves



Can't find what you need? We will be happy to assist you to find the right regulator to fit your needs.