



# 455 SINGLE STAGE NICKEL-PLATED REGULATOR

The 455 Series regulators are intended for primary pressure control of highly corrosive gases such as chlorides, sulfides, and other acid-forming gases. New DURSAN treated 316L SS capsule and Diaphragm 10X more corrosion resistant than Hasteloy for Chlorine, HCL, HBr, H2S, or any non-Fluorine mixtures or non-Fluorine compounds.

## Deep Purge

For safety and corrosion prevention, WestAir highly recommends the addition of a Deep Purge assembly to the 455 Series regulator. Completely purging a system prevents the release of hazardous gases into the work place. In addition, the Deep Purge prevents the introduction of moisture to the regulator which forms acids in the body and results in corrosion.

### Highlighted Features

- Single Stage
- Electroless Nickel-Plated Forged Brass Body
- Corrosive Service

### Typical Applications

- ❖ Hydrogen chloride
- ❖ Chlorine
- ❖ Boron trichloride
- ❖ Dichlorosilane

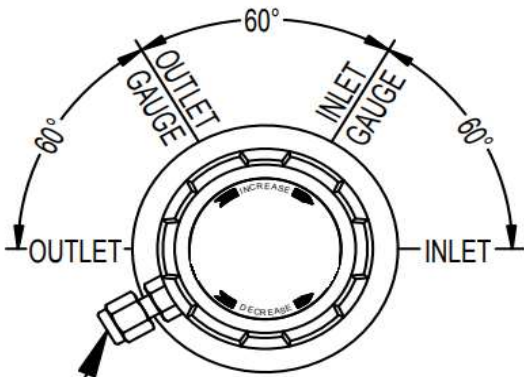


Features	Materials	Specifications
<p><b>Nickel-Plated Forged Brass Body</b> Durable, long lasting construction</p> <p><b>Convuluted 316L Stainless Steel Diaphragm</b> Sensitive to downstream changes</p> <p><b>CAPSULE® Seat</b> Serviceability and long life</p> <p><b>Captured Vent Standard</b> Safely vent exhaust gases</p> <p><b>High Load Marginal Spring</b> Positive seat closure</p> <p><b>Fluorine passivated version for mixtures</b> NF3, BF3, SiF4</p>	<p><b>Body</b> Electroless nickel-plated forged brass</p> <p><b>Bonnet</b> Electroless nickel-plated forged brass</p> <p><b>Seat</b> PTFE</p> <p><b>Nozzle</b> Dursan® Treated 316L or Fluorine passivated 316L stainless steel</p> <p><b>Diaphragm</b> Dursan® Treated 316L or Fluorine passivated 316L stainless steel</p> <p><b>Diaphragm Seal</b> PTFE</p> <p><b>Filter</b> Dursan® Treated 316L or Fluorine passivated 316L stainless steel</p>	<p><b>Maximum Inlet Pressure</b> 3000 PSIG (210 BAR)</p> <p><b>Temperature Range</b> -40°F to 140°F (-40°C to 60°C)</p> <p><b>Gauge</b> 2 1/2" (53mm) diameter Monel®</p> <p><b>Ports</b> 1/4" FPT</p> <p><b>Helium Leak Integrity</b> 1 x 10-8 scc/sec</p> <p><b>Cv</b> 0.2 <i>Flow curves on pages to follow</i></p> <p><b>Weight (455 2332-660)</b> 7.23 lbs. (3.28 kg)</p>

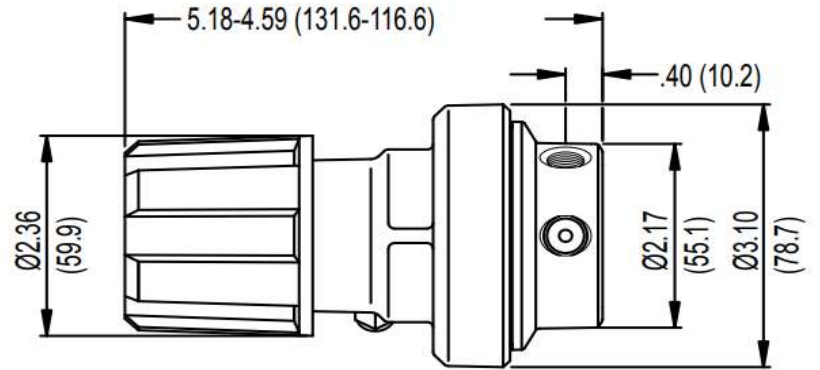
## Order Information

Model	A	B	C	D	-CON	OPTIONS	
Series	Outlet Pressure	Outlet Gauge	Inlet Gauge	Outlet Assemblies	Assembly/Gauges	Inlet Connections	Installed Options
<b>455</b>	<b>1:</b> 0-15 PSIG (0-1 BAR)	30"-0-30 PSIG/ -1-0-2 BAR	<b>0:</b> None	<b>0:</b> 1/4" FPT port	<b>0:</b> Bare body	<b>000:</b> 1/4" FPT	R: Dursan® Treated 316L components and parts
	<b>2:</b> 0-40 PSIG (0-3 BAR)	0-60 PSIG/ 0-4 BAR	<b>3:</b> 0-4000 PSIG/ 0-275 BAR	<b>1:</b> 1/4" MPT	<b>1:</b> Cleanroom assembly (PSIG/kPa gauges)	<b>TF2:</b> 1/8" tube	CGA 679, and other inlet connects require complete Fluorine passivated assemblies consult factory.
	<b>3:</b> 0-120 PSIG (0-8 BAR)	0-200 PSIG/ 0-14 BAR	<b>5:</b> 0-1000 PSIG/ 0-70 BAR	<b>2:</b> 1/4" tube fitting	<b>2:</b> Cleanroom assembly (BAR/PSIG gauges)	<b>TF4:</b> 1/4" tube	
	<b>4:</b> 0-200 PSIG (0-14 BAR)	0-400 PSIG/ 0-27 BAR	<b>6:</b> 0-300 PSIG/ 0-21 BAR	<b>3:</b> Diaphragm valve 1/4" tube fitting	<b>4:</b> Standard assembly without deep purge (BAR/PSIG gauges)	<b>TF6:</b> 3/8" tube	
	<b>5:</b> 0-250 PSIG (0-17 BAR)	0-400 PSIG/ 0-27 BAR	<b>7:</b> 0-400 PSIG/ 0-27 BAR	<b>4:</b> Diaphragm valve 1/4" MPT	<b>5:</b> Standard assembly with deep purge (BAR/PSIG gauges)	<b>M06:</b> 6mm	
			<b>8:</b> 0-200 PSIG/ 0-14 BAR	<b>5:</b> Needle valve 1/4" MPT		CGA DIN 477 BS 341 and others available	
				<b>6:</b> 1/8" tube fitting			
				<b>7:</b> 3/8" tube fitting			
				<b>8:</b> Diaphragm valve 1/8" tube fitting			
				<b>9:</b> Diaphragm valve 1/4" FPT			
				<b>M:</b> 6mm tube fitting			
				<b>S:</b> Diaphragm valve 6mm tube fitting			

## Installation Dimensions



1/8" TUBE FITTING FOR VENTING OF GASES IN CASE OF OVERPRESSURIZATION



*Can't find what you need? We will be happy to assist you to find the right regulator to fit your needs.*