



492 SINGLE STAGE CHROME-PLATED BRASS 6K PISTON REGULATOR

The 492 Series regulators are intended for primary pressure control of non-corrosive gases at a maximum inlet pressure of 6000 PSIG (415 BAR).

Highlighted Features

- Single Stage
- Piston-Sensed
- Ultra-High Pressure
- Chrome-Plated Brass Barstock Body

Typical Applications

- ❖ Airplane strut charging
- ❖ Research and development laboratories
- ❖ Chemical manufacturing
- ❖ Aerospace hydraulic systems
- ❖ Pharmaceutical manufacturing
- ❖ Gauge calibration



492 REGULATOR
SHOWN HERE

Features	Materials	Specifications
<p>Large Piston Sensor Safely control pressures to 6000 PSIG (415 BAR)</p> <p>CAPSULE® Seat Increased serviceability and life</p> <p>Low Wetted Surface Area Minimal purge requirements</p> <p>Field-Adjustable Pressure Limit Safeguard downstream equipment</p> <p>316 Stainless Steel Barstock Body Smooth surface finish</p> <p>Front and Rear Panel-Mountable Versatile system configuration</p> <p>Pressure Ranges 0-750 to 0-6000 PSIG (0-50 to 0-415 BAR) Broad range of applications</p> <p>Six Port Design Flexible installation alternatives</p>	<p>Body Chrome-plated brass barstock</p> <p>Bonnet Chrome-plated brass barstock</p> <p>Seat PCTFE 3000 and 4500 PSIG (210 and 310 BAR) inlet Arlon® (PEEK) (6000 PSIG inlet)</p> <p>Piston Brass barstock</p> <p>Filter 10 micron sintered bronze</p> <p>Internal Seals Viton® (encapsulated)</p>	<p>Maximum Inlet Pressure 6000 PSIG (415 BAR)</p> <p>Temperature Range -40°F to 140°F (-40°C to 60°C)</p> <p>Gauges 2 1/2" (53mm) diameter chrome-plated brass</p> <p>Ports 1/4" FPT</p> <p>Cv 0.1 <i>Refer to flow curve chart below</i></p> <p>Weight (492 4952-677) 5.59 lbs. (2.54 kg)</p>

Order Information

Model	A		B		C	D	-CON	Installed Options
Series	Outlet Pressure	Outlet Gauge	Inlet Maximum	Inlet Gauge	Outlet Assemblies	Gauges	Inlet Connections	
492	1: 0-750 PSIG (0-50 BAR)	0-1000 PSIG/ 0-70 BAR	0: 6000 PSIG (0-415 BAR) ³	None	0: 1/4" FPT port		0: Bare body ⁴ CGA DIN 477 BS 341 and others available	B: Protocol alarm station with pressure switch gauges
	2: 0-1500 PSIG (0-100 BAR)	0-4000 PSIG/ 0-275 BAR	3: 3000 PSIG (210 BAR)	0-4000 PSIG/ 0-275 BAR	1: 1/4" MPT 2: 1/4" tube fitting		1: Cleanroom assembly (PSIG/kPa gauges)	C: Protocol switchover station
	3: 0-2500 PSIG (0-170 BAR)	0-4000 PSIG/ 0-275 BAR	8: 5500 PSIG (379 BAR)	0-6000 PSIG/ 0-415 BAR	5: Needle valve 1/4" MPT 6: 1/8" tube fitting 7: 3/8" tube fitting		2: Cleanroom assembly (BAR/PSIG gauges)	E: Protocol alarm station with intrinsically safe transducer for hazardous environments
	4: 0-4500 PSIG (0-310 BAR) ¹	0-6000 PSIG/ 0-415 BAR	9: 6000 PSIG (415 BAR)	0-10,000 PSIG/ 0-700 BAR	F: Needle valve 1/4" tube fitting			H: Protocol switchover alarm station with pressure switch gauges
	5: 0-6000 PSIG (0-415 BAR) ²	0-10,000 PSIG/ 0-700 BAR			M: 6mm tube fitting			J: Protocol alarm station with standard transducer for non-hazardous environments
	6: 0-3500 PSIG (241 BAR) ¹	0-6000 PSIG/ 415 BAR			Note: Outlet fittings and outlet valves are 316 stainless steel			K: Protocol switchover alarm station with standard transducer for non-hazardous environments
							M: Protocol station Q: Protocol purge station ⁵ X: Protocol switchover alarm station with intrinsically safe transducer for hazardous environments	

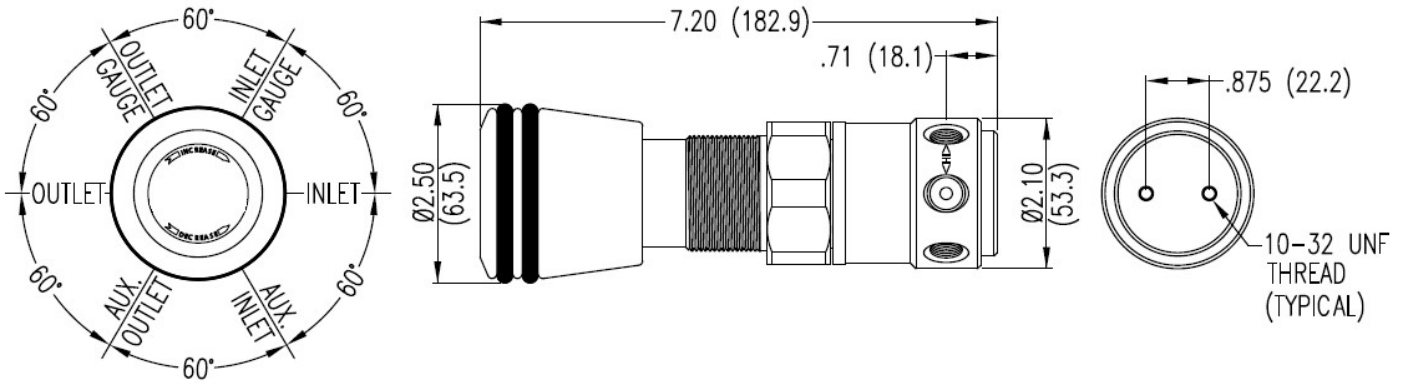
Notes:

- ¹ Not available with 3000 PSIG (210 BAR) maximum inlet pressure
- ² Only available with 6000 PSIG (415 BAR) maximum inlet pressure
- ³ Only valid if D=1 or 2 (outlet gauge specified)
- ⁴ B must be 3,8 or 9 (maximum pressure specified)
- ⁵ 3000 PSIG (210 BAR) maximum inlet only valid if B=3

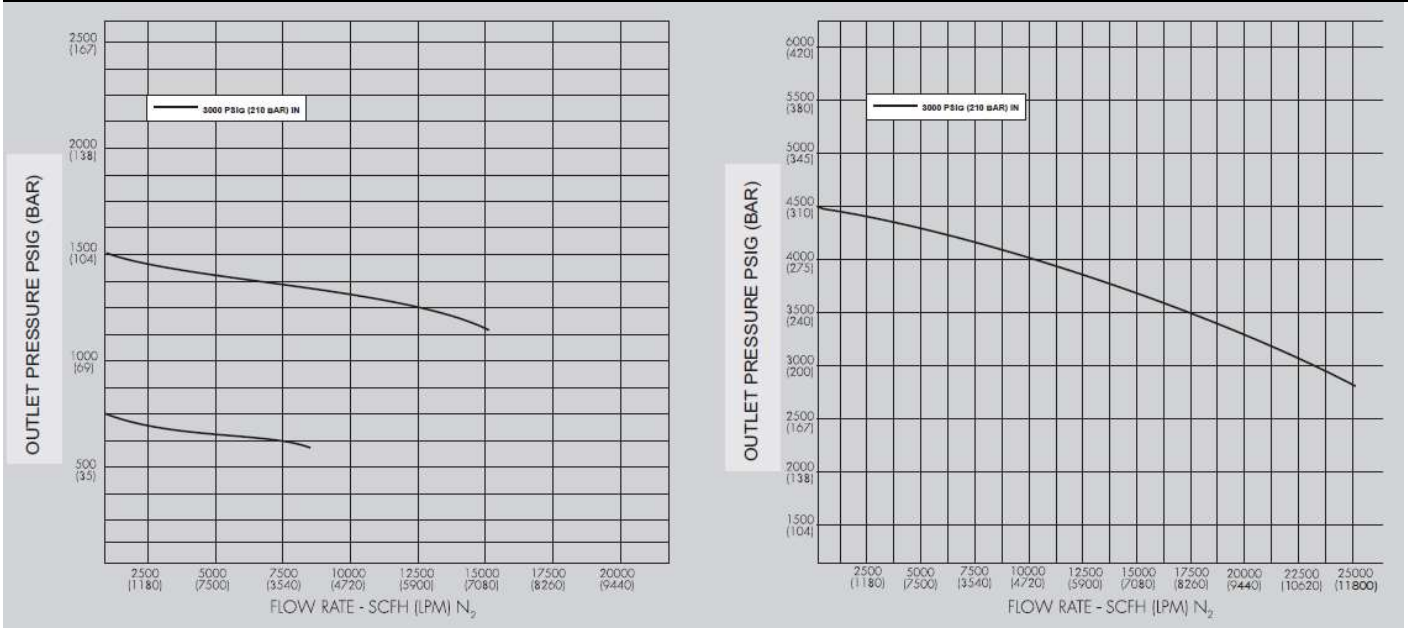
Related Options

Part Number	Description
CON 830 6483	Panel mount kit - To mount the regulator using bonnet threads. Material: Chrome-plated brass

Installation Dimensions



493 Regulator Flow Curves



Can't find what you need? We will be happy to assist you to find the right regulator to fit your needs.