



MASS FLOWMETERS & CONTROLLERS FLOW CONTROL

MFM 200 Series Mass Flow Meter & MFC 202 Series Mass Flow Controller

WestAir offers the Concoa brand Mass Flowmeter (MFM) and Mass Flow Controller (MFC) Series which are based on a modular design. At the heart of each instrument is an insulated thermal transfer sensor which provides enhanced zero stability. This sensor is designed to virtually eliminate long downtime due to clogging. Additionally, the MFM/MFC design features an integral filter and an easily replaceable closed loop electronics card.



MFC 202 SHOWN IN PHOTO

<i>Features</i>	<i>Applications</i>
±1% Of full-scale accuracy*	Leak testing
Proven reliability	Medical research
Range–20,000 SCCM (N2 equivalent)	Vapor deposition
NIST traceable calibration	R&D and process flows
	Semiconductor processes
	Pollution monitoring
	Gas blending
	Chromatography

MFM 200 Specifications

Accuracy* and Linearity	±1% F.S.
Repeatability	±0.05% F.S.
Standard Pressure Rating	500 PSIG (34 BAR)
Pressure Coefficient	-0.0067%/PSI (0-1000 PSIG/0-70 BAR N2) typical
Leak Integrity	<1x10 ⁻⁹ SCCS
Temperature Coefficient	Zero ±0.035% FS/°C 0-60°C (0-140° F) Span ±0.05% RDG/°C 0-60°C (0-140° F)
STP	0°C and 760 TORR
Power	±15 VDC @ ±25 mA
Flow Signal	(Inherently linear) 0-5.00 VDC
Wetted Material	316 stainless steel, Viton®, 82/18 Au/Ni braze, trace silver solder
Connector	15-pin subminiature D
Weight	1.8 lb (0.82 kg)

MFC 202 Specifications

Accuracy* and Linearity	±1% F.S.
Repeatability	±0.05% F.S.
Standard Pressure Rating	500 PSIG (34 BAR)
Pressure Coefficient	-0.0067%/PSI (0-1000 PSIG/0-70 BAR N2) typical
Control Valve DP †	15-65 PSIG (1-4.5 BAR)
Leak Integrity	<1x10 ⁻⁹ SCCS
Temperature Coefficient	Zero ±0.035% FS/°C 0-60°C (0-140° F) Span ±0.05% RDG/°C 0-60°C (0-140° F)
STP	0°C and 760 TORR
Power	±15 VDC @ ±60 mA/-185 mA
Flow Signal	(Inherently linear) 0-5.00 VDC
Command Signal	0-500 VDC or 4-20 mA
Wetted Material	316 stainless steel, 302 stainless steel, nickel, Viton®, 82/18 Au/Ni Braze, trace silver solder, Kalrez®
Connector	15-pin subminiature D
Weight	1.8 lb (0.82 kg)

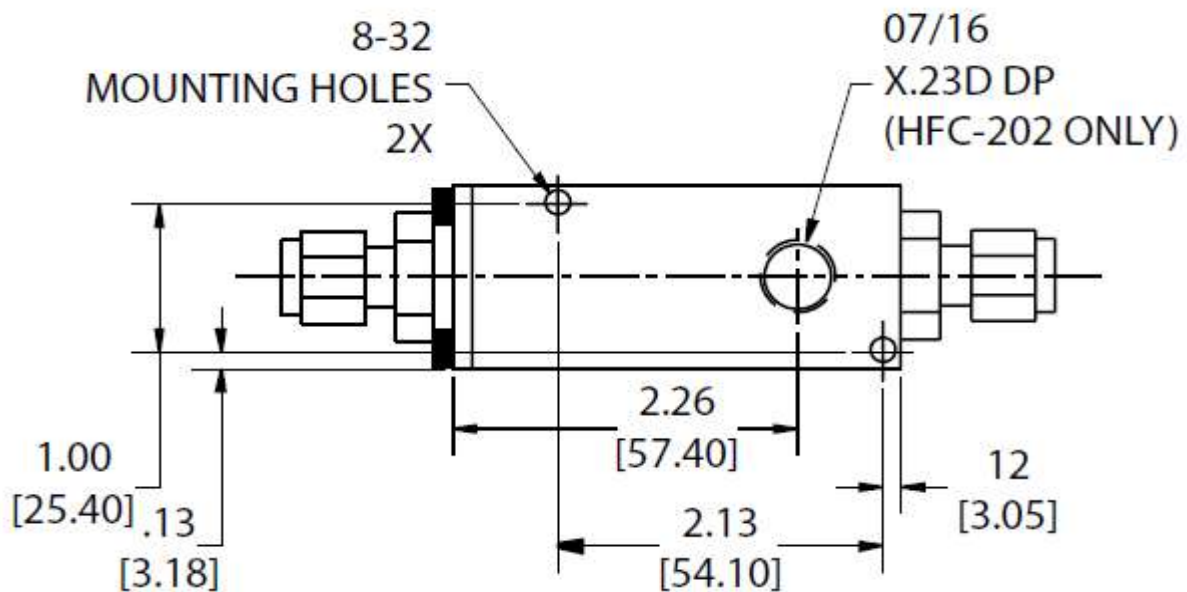
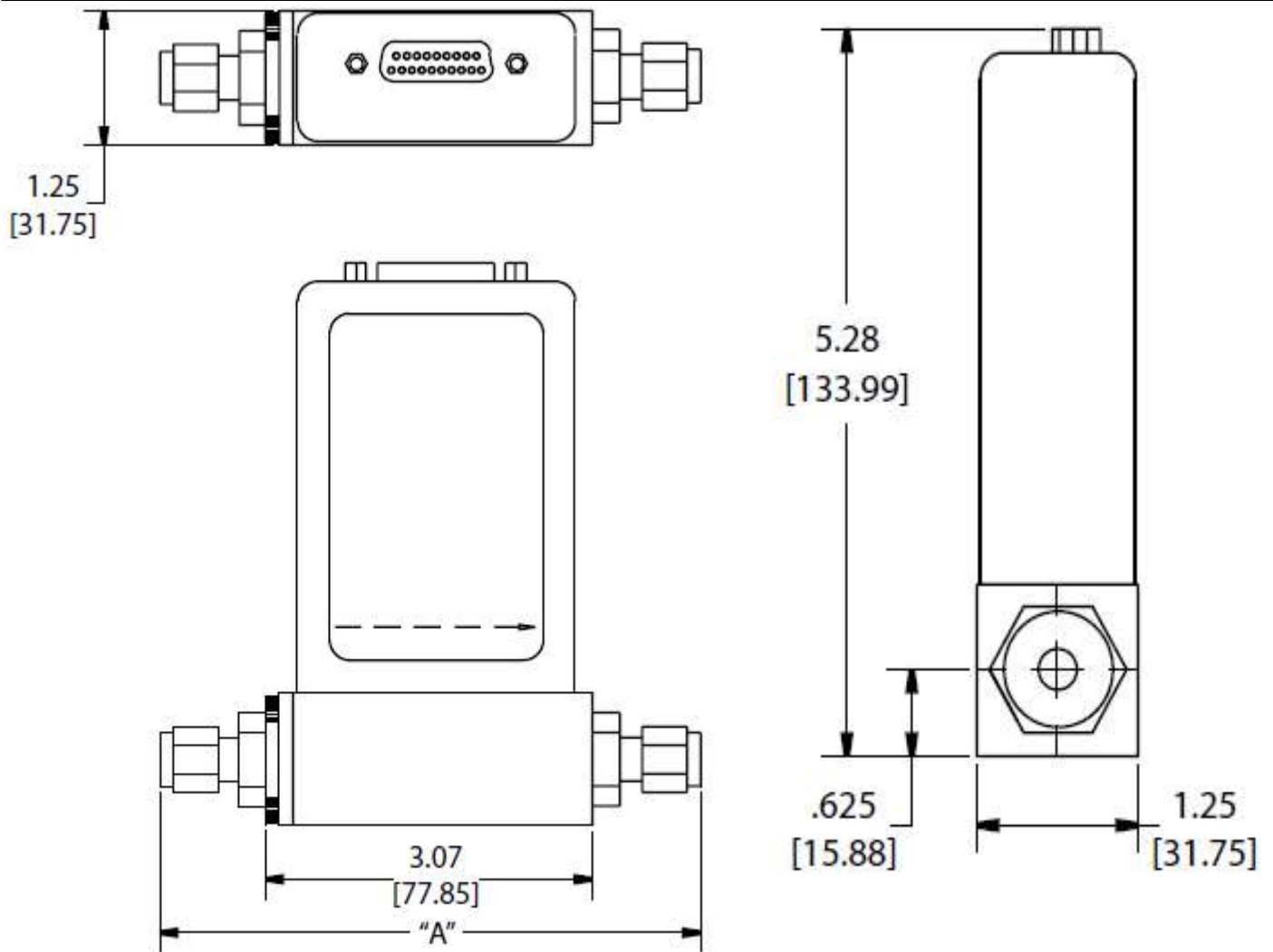
* See product manual for critical information on instrument accuracy and the use of GCFs (gas conversion factors). Stated accuracy is for nitrogen or other gas specific calibration and use with this gas only.

† Consult WESTAIR for other pressures.

MFM 200 & MFC 202 Fittings

MFM & MFC Fitting Type	Dim "A"
1/8" tube fitting with nut 4.84	4.84 (122.94)
1/4" tube fitting with nut 5.02	5.02 (127.51)

Installation Dimensions



Order Information

Mass Flow Meter Order Information MFM 200		
Part Number	Range NEFR	Tube Fitting
MFM 200-2-10	0-10 SCCM	1/8"
MFM 200-2-100	0-100 SCCM	1/8"
MFM 200-2-500	0-500 SCCM	1/8"
MFM 200-2-1000	0-1000 SCCM	1/8"
MFM 200-4-3L	0-3 SLM	1/4"
MFM 200-4-5L	0-5 SLM	1/4"
MFM 200-4-10L	0-10 SLM	1/4"
MFM 200-4-20L	0-20 SLM	1/4"

Mass Flow Controller Order Information MFC 202		
Part Number	Range NEFR	Tube Fitting
MFC 202-2-10	0-10 SCCM	1/8"
MFC 202-2-100	0-100 SCCM	1/8"
MFC 202-2-500	0-500 SCCM	1/8"
MFC 202-2-1000	0-1000 SCCM	1/8"
MFC 202-4-3L	0-3 SLM	1/4"
MFC 202-4-5L	0-5 SLM	1/4"
MFC 202-4-10L	0-10 SLM	1/4"
MFC 202-4-20L	0-20 SLM	1/4"

Can't find what you need? We will be happy to assist you to find the right apparatus to fit your needs.